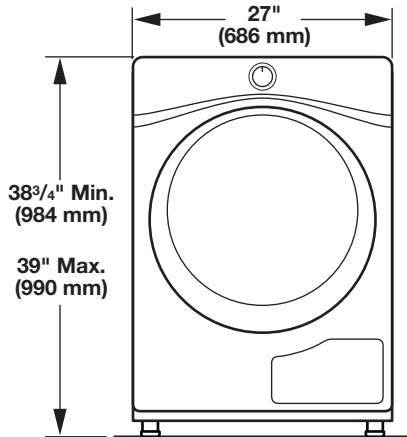


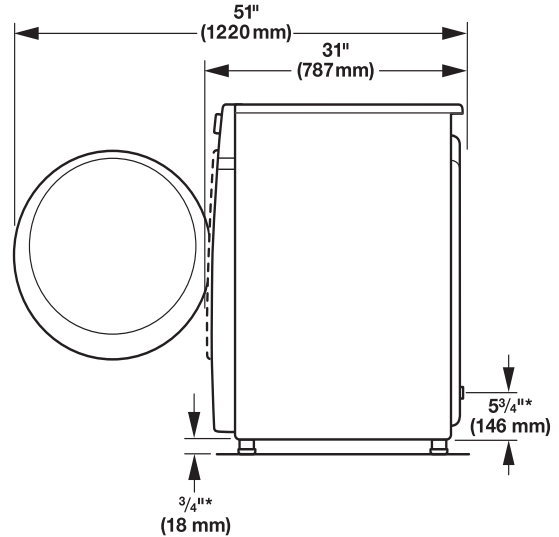


Electric Heat Pump Dryer
PRODUCT MODEL NUMBERS
WED99HED

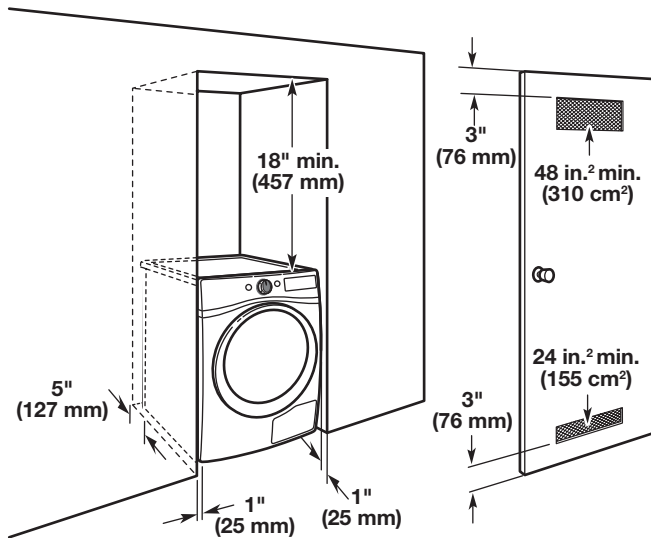
Front view:



Side view:



Recommended installation clearances (dryer only):

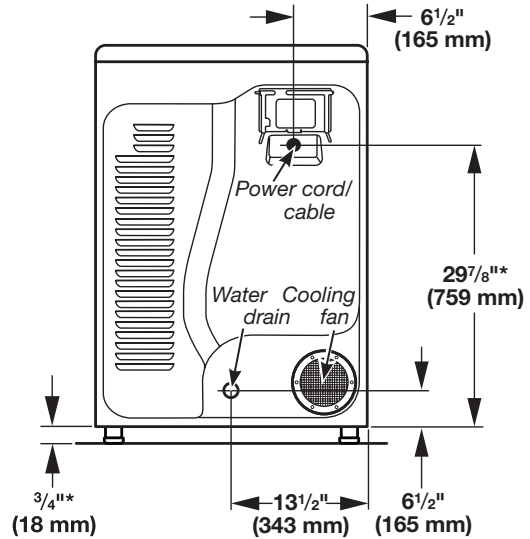


Installation spacing for recessed area or closet installation

All dimensions show recommended and minimum spacing allowed.

- Additional spacing should be considered for ease of installation and servicing.
- Additional clearances might be required for wall, door, floor, moldings, and drain system.
- Additional spacing should be considered on all sides of the dryer to reduce noise transfer.
- For closet installation, with a door, minimum ventilation openings in the top and bottom of the door are required. Louvered doors with equivalent ventilation openings are acceptable.
- Companion appliance spacing should also be considered.

Back view:



* Approx. measurement.

NOTE: Allow clearance behind dryer for proper drain hose routing and cooling fan ventilation. Push dryer back as far as possible and make sure drain hose is not crushed or kinked.

Electrical Requirements

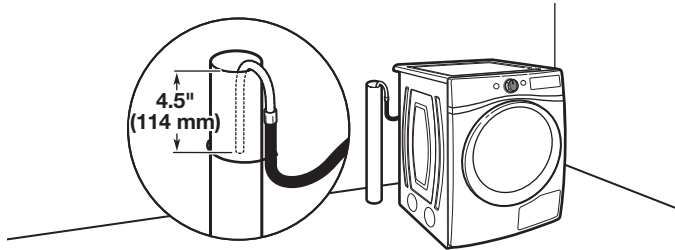
To supply the required 3 or 4 wire, single phase, 120/240 volt, 60 Hz., AC only electrical supply (or 3 or 4 wire, 120/208 volt electrical supply, if specified on the serial/rating plate) on a separate 30-amp circuit, fused on both sides of the line. Connect to an individual branch circuit. Do not have a fuse in the neutral or grounding circuit.

Drain System

Drain system can be installed using a floor drain, wall standpipe, floor standpipe, or laundry tub. Select method you need.

IMPORTANT: To avoid siphoning, only 4.5" (114 mm) of drain hose should be inside standpipe. Always secure drain hose with cable tie.

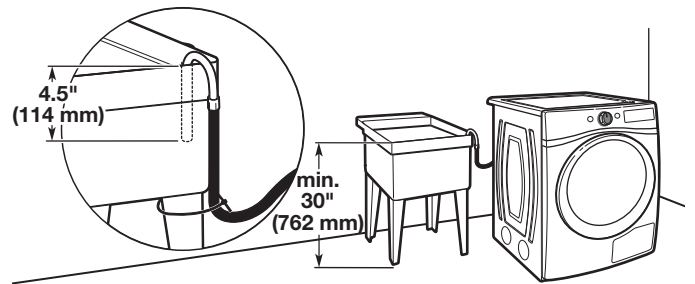
Floor standpipe drain system



Minimum diameter for a standpipe drain: 2" (51 mm). Minimum carry-away capacity: 17 gal. (64 L) per minute. A 1/4" (6 mm) diameter to 1" (25 mm) diameter Standpipe Adapter Kit is available. Top of standpipe must be at least 30" (762 mm) high; install no higher than 72" (1.8 m) from bottom of dryer.

IMPORTANT: Only 4.5" (114 mm) of drain hose should be inside standpipe; do not force excess hose into standpipe.

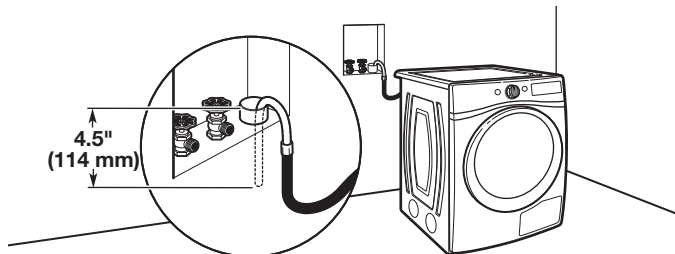
Laundry tub drain system



Minimum capacity: 20 gal. (76 L). Top of laundry tub must be at least 30" (762 mm) above floor; install no higher than 72" (1.8 m) from bottom of dryer.

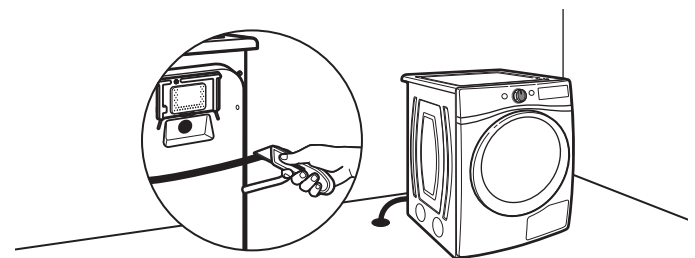
IMPORTANT: Only 4.5" (114 mm) of drain hose should lay on side of laundry tub. Do not lay the hose at the bottom of tub.

Wall standpipe drain system



See requirements for floor standpipe drain system.

Floor drain system



Remove the U-bend at the end of the drain hose by cutting the hose at the end of the U-bend for the floor drain system as shown in the picture above.

NOTE: Cut hose so that no more than 4.5" (114 mm) of the hose is in the floor drain to avoid siphoning.