

Operating Instructions

Washing Machine

Save these instructions for future reference

Dear Customer,

Thank you for choosing this quality product from ASKO.

We hope it will meet all of your expectations and fulfill your needs for many years to come. The Scandinavian design is a combination of clean lines, everyday functionality and high quality. These are the hallmarks for all of our products and this is why they are so highly appreciated all over the world.

To get the most out of your new ASKO product, we recommend that you read the installation and operating instructions before using the machine.

ASKO WL6532 XXL



Contents

Before using your machine for the first time	4	Removing stains	22
Removing shipping bolts	4	Stain removal rules	22
Packing material	4	Stain removal guide	22
Checking water hardness	4	Troubleshooting	23
Important safety instructions	5	The washer will not operate at all.	23
Grounding instructions	6	Water is not supplied	23
Installation	6	The washer will not drain	23
Transport / Winter storage	6	The washer will not spin	23
Recycling	6	Spinning is insufficient	23
Child safety	7	Vibrating and too noisy	23
Description of the washing machine	8	Installation instructions	24
Detergent compartment	8	Removing shipping bolts	24
Front panel	9	Location of your washer	24
Advice and tips before washing	10	Level adjustment	25
Sorting your laundry	10	Connecting water supply hoses	25
Clothing	10	Drain system	26
Laundry labels	10	Electrical connection	26
Laundry label symbols	10	Grounding instructions	26
Colored cotton	12	Positioning the washer	27
Delicate	12	Washer dimensions	27
Wool and silk	12	Minimum installation spacing for recessed area installation.	27
Artificial fibers and synthetic fibers	12	Level floor	28
Save time and energy	12	Power outlet	28
Economy and efficiency	12	Stacking kit installation instruction	29
Detergents	12	Technical information	30
Liquid detergents	13	Service and guarantee	31
Recommended powder detergents	14	Quick guide	33
Amount of detergent to use	14		
Detergent Amounts Based on Water Hardness	14		
Operating instructions	15		
Selecting settings	18		
Selecting options	19		
Care and maintenance instruction	20		
Cleaning your washer	20		
Winter storage or moving care	20		
Non-use or vacation care	20		
Cleaning the water inlet filter	20		
Cleaning the drain filter	21		
Cleaning the detergent compartment	21		
Cleaning the lifter filter	21		

Before Using Your Machine For The First Time

Removing shipping bolts

Have the shipping bolts been removed?
If not, see the “Installation instructions”
chapter.

Packing material

Please sort waste materials in accordance
with local guidelines.

Checking water hardness

The quantity of detergent needed depends,
among other things, on water hardness.
Phone your local water company to check
the water hardness in your area.

Important Safety Instructions

To reduce the risk of fire, electric shock, or injury to persons when using your appliance, follow basic precautions, including the following:

- Read all instructions before using the appliance.
- Do not run appliance while you are out of the home.
- Do not wash or dry articles that have been previously cleaned in, washed in, soaked in, or spotted with gasoline, dry-cleaning solvents, cooking oils, or other flammable or explosive substances because they give off vapors that could ignite or explode.
- Do not allow children to play on or in the appliance. Close supervision of children is necessary when the appliance is used near children.
- Before the appliance is removed from service or discarded, remove the door to the washing compartment.
- Do not reach into the appliance if the drum is moving.
- Do not install or store this appliance where it will be exposed to the weather.
- Do not tamper with controls.
- Do not repair or replace any part of the appliance or attempt any servicing unless specifically recommended in the user repair instructions or in published user repair instructions that you understand and have the skills to carry out.
- Do not add gasoline, dry-cleaning solvents, or other flammable or explosive substances to the wash water. These substances give off vapors that could ignite or explode.

Under certain conditions, hydrogen gas may be produced in a hot water system that has not been used for 2 weeks or more. **HYDROGEN GAS IS EXPLOSIVE.** If the hot water system has not been used

for such a period, before using a washing machine or combination washer-dryer, turn on all water faucets and let the water flow from each for several minutes. This will release any accumulated hydrogen gas. As the gas is flammable, do not smoke or use an open flame during this time.

Caution!



This appliance must be properly grounded. This manual does not cover every possible condition and situation that may occur. Use common sense and caution when installing, operating, and maintaining any appliance.

Important Safety Instructions

Grounding instructions

A). Grounding instructions for a grounded, cord-connected appliance:

In the event of malfunction or breakdown, grounding will reduce the risk of electric shock by providing a path of least resistance for electric current. This appliance is equipped with a cord having an equipment-grounding conductor and a grounding plug. The plug must be plugged into an appropriate outlet that is properly installed and grounded in accordance with all local codes and ordinances.

Caution!



Improper connection of the equipment grounding conductor can result in a risk of electric shock. Check with a qualified electrician or service representative if you are in doubt as to whether the appliance is properly grounded.

Do not modify the plug provided with the appliance. If it will not fit the outlet, have a proper outlet installed by a qualified electrician.

B). Grounding instructions for a permanently connected appliance:

This appliance must be connected to a grounded metal, permanent wiring system, or an equipment-grounding terminal or lead on the appliance.

Note!

This manual does not cover every possible condition and situation that may occur.

Use common sense and caution when installing, operating, and maintaining any appliance.

Installation

See the “Installation” chapter.

Transport / Winter storage

If the machine is to be transported or stored in unheated premises where the temperature can fall below freezing, do as follows:

- Empty the filter and drain pump (see the “Care and Cleaning” chapter).
- Shut off the water to the washing machine, loosen the supply hose to the intake valve, and let the water run out from the valve and hose.

Recycling

When the machine has reached the end of its service life and is to be disposed of, it should immediately be made unusable by removing the door to the washing compartment.

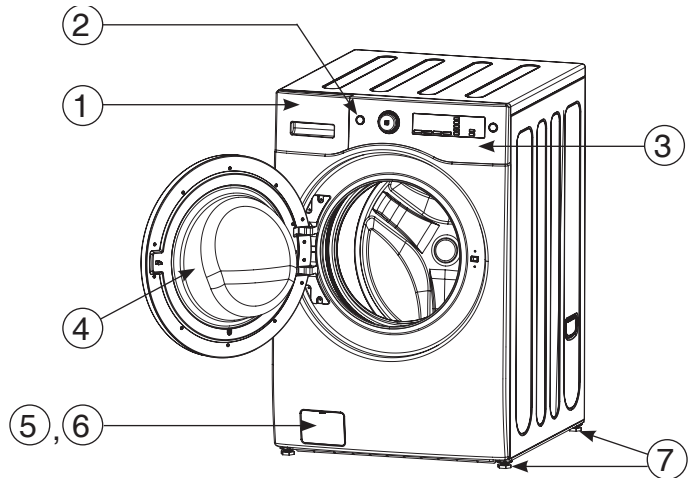
Contact your local authorities for information about where your machine should be disposed of and recycled in the proper way. The machine is manufactured and labeled for recycling.

Child Safety

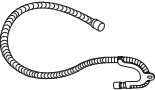





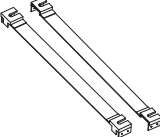
- Laundry detergents are corrosive, so always keep them out of reach of children.
- Should a child swallow detergent, give plenty to drink immediately, i.e., one or two glasses of milk or water. Do not try to induce vomiting. Seek medical advice immediately: The National Poison center phone number is 1-800-222-1222.
- Always close the door and start the appliance as soon as you put in the detergent.
- Always turn the power off to the machine when it is not in use.
- Always keep small children away from the machine when it is open. There may be some detergent residue left inside the machine.
- If laundry detergent gets in someone's eyes, rinse them with plenty of water for at least 15 minutes.

Description Of The Washing Machine

1. Detergent compartment
2. Main power button
3. Program panel
4. Washer door
5. Drain pump cover
6. Drain pump (behind drain pump cover)
7. Adjustable legs



Accessories

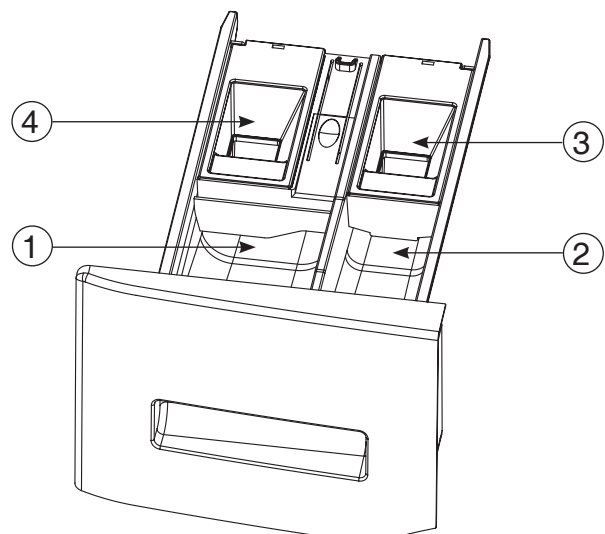
Drain Hose	Inlet Hoses (2 EA)	Wrench	Owner's Manual	Cap Holders (4 EA)	Pedestal (Option)	Stacking Kit (Option)
					 <p>* Design of pedestal is subject to change without manufactures notice.</p>	

Detergent compartment

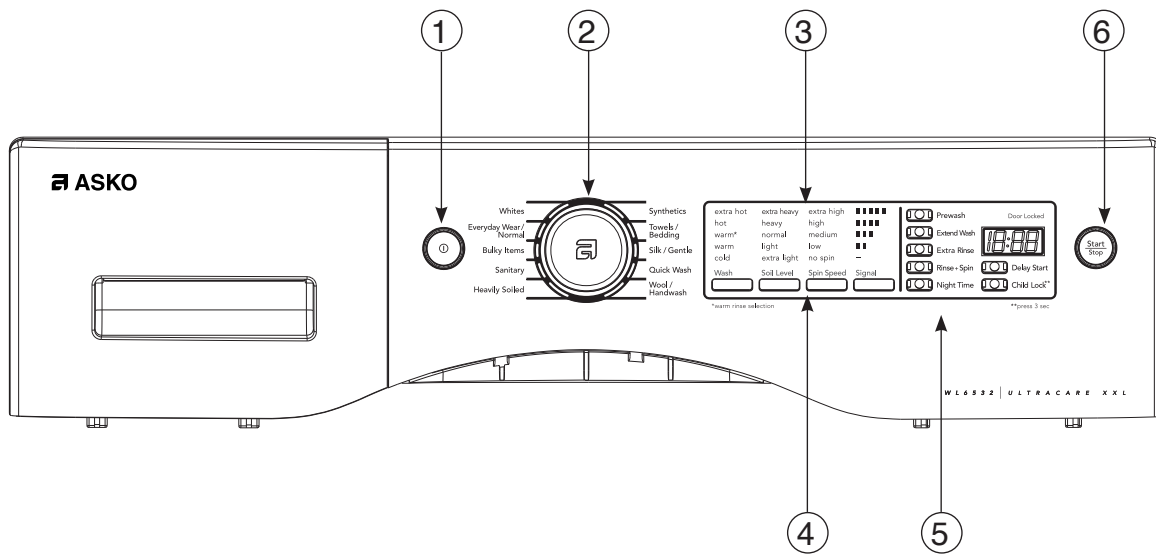
1. Detergent compartment - main-wash
2. Detergent compartment – pre-wash
3. Fabric softener compartment
4. Liquid bleach compartment

Note!

- Place the liquid detergent cup in the detergent compartment if you use liquid detergent.
- Powdered detergent will not dispense with the liquid detergent cup.
- For powdered detergent, remove the liquid detergent cup.



Front Panel



1. Main power button
2. Program selector
3. Display window

4. Setting buttons
5. Option buttons
6. Start/Stop button

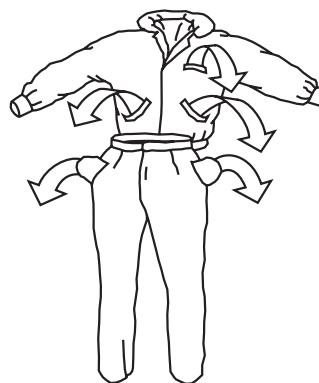
Advice And Tips Before Washing

Here are some tips that may help you before washing.

Sorting your laundry

Sort items according to:

- How soiled they are
- Color
- Material



Clothing

- Close zippers so that they don't harm fabrics.
- New, colored items may contain excess dye and should therefore be washed separately the first few times.
- Turn delicate items inside out. This reduces the risk of burring and fading.
- Empty pockets and wash them inside out if possible!

Laundry labels

Look at the item's laundry label.

The table below shows suitable wash programs for different materials and wash loads.







Using modern washing machines and detergents, such as compact detergents, you can usually wash at lower temperatures. It is a good idea to use trial and error to find out what produces the best results.

Laundry label symbols

Laundry labels	Material	Program	Load
	Cotton, linen, white, and light-colored items.	Sanitary Extra Hot	Full load
	Cotton, linen. Dark-colored items.	Sanitary Extra Hot	1/2 load
	Polyester, cotton/polyester, nylon. White items.	Everyday Wear/ Normal Warm	1/2 load
	Rayon, acetate, acrylic. Non-colorfast items.	Everyday Wear/ Normal Warm	1/2 load
	Polyester, cotton/polyester, nylon. Colored items.	Everyday Wear/ Normal Warm	1/2 load
	Silk and very delicate items	Silk/Gentle Cold	1/2 load
	Items labeled with the IWS or Super-wash mark	Wool/Hand wash Cold	1/3 load

Advice And Tips Before Washing




Wash cycle

-  Normal wash cycle
-  Permanent Press or Wrinkle Resistant setting
-  Gentle/Delicate setting
-  Hand wash only
-  Do not wash
-  Do not wring. Hand dry, drip dry, or dry flat


Wash water temperature

-  Maximum water temp 200 °F / 95 °C
-  Maximum water temp 160 °F / 70 °C
-  Maximum water temp 140 °F / 60 °C
-  Maximum water temp 120 °F / 50 °C
-  Maximum water temp 105 °F / 40 °C
-  Do not wring. Hand dry, drip dry, or dry flat






Bleach instructions

-  Any bleach when needed
-  Only non-chlorine bleach
-  Do not bleach






Dry clean symbol

-  Dry clean only




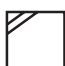
Tumble dry cycle

-  Machine dry
-  Normal setting
-  Permanent Press or Wrinkle Resistant setting
-  Gentle or Delicate setting
-  Do not tumble dry







Tumble dry heat setting

-  Any heat
-  High heat
-  Medium heat
-  Low heat
-  No heat/Air fluff

Special drying instructions

-  Line dry or hang to dry
-  Drip dry (do not spin or wring)
-  Dry flat
-  Dry in shade

Ironing instructions

-  Ironing is necessary
-  High temperature setting
-  Medium temperature setting
-  Low temperature setting
-  Do not iron or press with heat
-  Iron without steam

Advice And Tips Before Washing

Colored cotton

Colored cotton items labeled 140 °F (60 °C) should be washed on HOT, the first time in order to remove any excess dye.

If you do not do so, there is a risk that the color will run. Use detergent without bleach in order to preserve the color of the fabric.

Delicate

Unbleached linen

Unbleached linen fabrics should be washed at 140 °F (60 °C), using detergent containing no bleach or optical whiteners. Heavily-soiled linen can occasionally be washed at higher temperatures, but not too often as the heat can destroy the linens sheen and strength.

Wool and silk

These fabrics are sometimes labeled as machine washable and sometimes as hand wash. The machines Wool/hand program is just as gentle as washing by hand.

Wool is especially sensitive to processes such as washing.

If you do not wish to spin dry, you can squeeze out the water using terry cloth towels.

In this case select No spin.

To find out how to select this setting, see the operating instructions. Most items can withstand a short spin. Select short spin by selecting a spin speed below medium.

Artificial fibers and synthetic fibers

These materials require plenty of room to prevent them from getting wrinkled.

Only fill half the drum when washing artificial or synthetic fibers. Choose a short spin by selecting a spin speed of medium.

Note!

Viscose and acetates are fragile when wet

Save time and energy

Use the White program to save time and energy. This program has a shorter main wash than a Heavily Soiled wash, but it is often long enough for normally soiled laundry.

Economy and efficiency

You can save a lot of energy by not using higher temperature programs than necessary.

- Select Quick wash if you just need to freshen up shirts or sports clothes, for example. This will save both water and energy. If you select a fast spin speed, this reduces energy consumption when drying in a tumble dryer or drying cabinet.
- Try to wash only full loads whenever possible.
- Avoid washing with prewash. Modern machines and detergents clean without prewash. Only garments soiled with protein stains such as grape juice or grass are likely to need a prewash.

Detergents

Eco-labeled detergents are less harmful to the environment.

Detergent overdosing does not give better washing results; it merely causes a greater impact on the environment.

Try to use less detergent, and increase only if you are not satisfied with the results.

Note!

Due to environmental concerns, we discourage the use of strong chemicals. When using agents for bleaching or stain removal, there is a risk of rust (corrosion) and discoloration of the machine.

Advice And Tips Before Washing

Detergents

Note!

Due to environmental concerns, we discourage the use of chlorine bleach in your

Asko washing machine. The tumbling wash action, temperature control options, extended wash times and proper amount of detergent are sufficient to remove most stains.

Laundry detergents are available in low, normal and high-sudsing formulas.

A detergent's ability to clean is not relative to the amount of suds it produces. Excess suds in a front-loading washer actually interfere with the cleaning because they cushion the tumbling action. Also, high-sudsing detergents are more difficult to completely rinse out.

The use of anything other than a low-sudsing detergent can cause severe over-sudsing, which could cause suds to backup through the detergent compartment and run down the front of the washer onto the floor. If over-sudsing occurs, run the wash through one or more rinse programs until all items are thoroughly rinsed. Remove the laundry then run the washer through a Everyday Wear/Normal wash program to get rid of any remaining detergent.

The tumbling wash action, temperature control options, extended wash times and proper amount of detergent are sufficient to remove most stains.

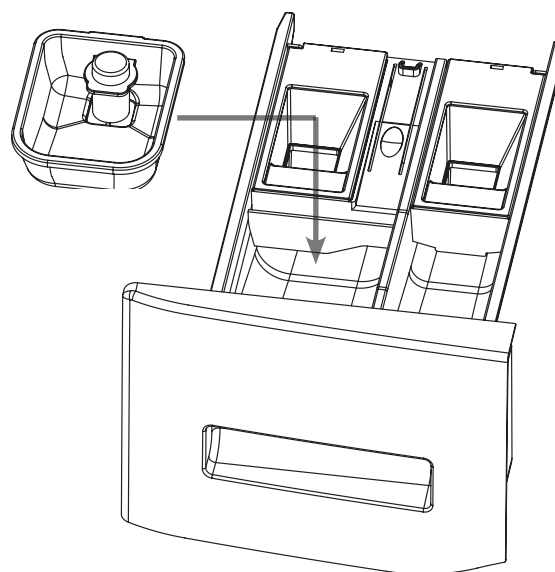
Liquid detergents

We don't recommend liquid detergents because they tend to produce more suds than powder detergents when used in water temperatures of 150 °F or higher.

If you should try a liquid detergent, start with a very small amount, such as 1 to 2 tablespoons.

Also, liquid detergent can be used for all programs without pre-wash, so add it into the main wash compartment.

Should you prefer to use a liquid detergent, we have provided a liquid detergent cup specifically for use with liquid detergents. Insert the liquid detergent cup in the main wash compartment before you pour in the liquid detergent.



Note!

The liquid detergent cup is supplied with the machine.

Advice And Tips Before Washing

Recommended powder detergents

ASKO washers use 50% to 75% less detergent than most other washers. This is because of their low water consumption and the fact that all the wash water is repeatedly circulated through the laundry, ensuring that all the detergent is fully utilized. We recommend that you use powder detergents made specifically for front-loading washers. These are sometimes called HE (High-Efficiency) detergents. Listed below are some low-sudsing powder detergents that have been successfully tested in ASKO washers:

- Fab
- All
- Tide HE
- Amway SA8
- Fresh Start
- Wisk HE

We recommend that you do not use any powder detergent that doesn't wash completely out of the detergent drawer.

Amount of detergent to use

The amount of detergent needed varies among the different brands, but for most detergents, you need only two or three tablespoons. Using too much detergent can result in detergent residue being left in your clothes, which can cause them to appear gray or dingy.

You should start with a small amount of detergent and increase it only if the cleaning results are unsatisfactory.

Additionally, you should never put detergent in the pre-wash compartment unless you are using a wash program that has a prewash cycle. This could cause excess foaming, which could damage the machine.

The amount of detergent needed can also depend on the hardness of the water in your area. See the "Detergent Amounts Based on Water Hardness" section on the next section for more details.

Detergent Amounts Based on Water Hardness

The amount of detergent needed can vary due to differences in water hardness. To determine the water hardness in your area, contact your local water utility or area water softening company. The harder the water, the more detergent you may need.

Remember, you should adjust the amount of detergent you use by small amounts until you find the correct amount.

Note that 12 grains and higher is extremely hard water and detergent alone may not be enough. You may need to use a water softener to maximize the performance of your washer. Also, in areas with extremely hard water (9+) you may need to wash at lower temperatures to prevent hard water deposits from forming in the tank and wash system.

Different brands of detergent have different amounts of phosphorous for softening water. If you have hard water and use a detergent with less than 8.7% phosphorous content, you may need to use more detergent or use a detergent with a higher phosphorous content.

Operating Instructions

- 1 Sort your laundry.**
See the “Advice and Tips” section before washing.

Note!

Always place underwire bras and similar garments that can damage the washing machine in a small mesh laundry bag.

Note!

Empty pockets. Coins, nails, and the like can cause damage to the machine and fabrics.
See the “Advice and Tips” section before washing.

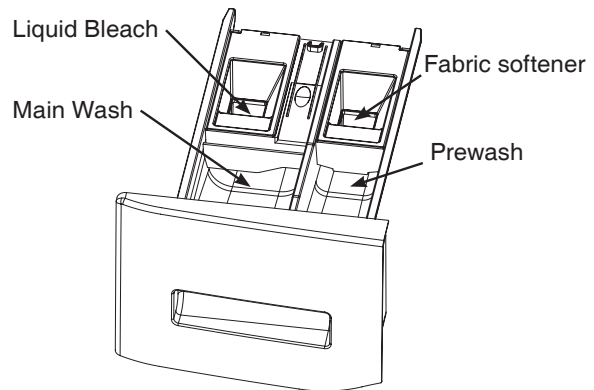
- 2 Turn on the main power switch.**

- 3 Open the washer door and load the laundry**
Load the laundry. The laundry program chart shows how much laundry can be washed with each program.

- 4 Add detergent, liquid bleach, and fabric softener as required**

Powder detergent

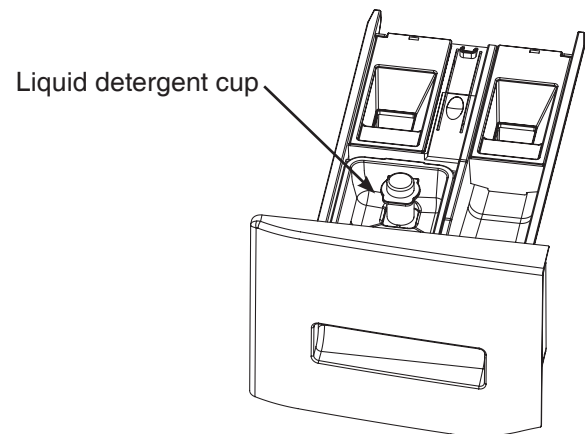
The detergent packaging will provide a recommendation on how much detergent to use. The drum capacity is 3.92 cu. ft. DOE. If you only have a small amount of laundry in the machine, you can reduce the amount of detergent used. The liquid detergent box provided should only be used with liquid detergent.



Liquid detergent

When using liquid detergent, follow the detergent manufacturer’s recommendations. For liquid detergent, place the liquid detergent cup in the detergent compartment as shown in the illustration.

Pour the detergent directly into the compartment for the main wash.



Note!

Detergent overdosing does not give better washing results; it merely causes a greater impact on the environment.
Try using less detergent, and increase only if you are not satisfied with the results.

Operating Instructions

Liquid Bleach

When using liquid bleach, follow the bleach manufacturer's recommendations. The bleach will be automatically dispensed at the proper time during the wash cycle.

Note!

Do not fill above the compartment's maximum fill level. Overfilling can cause early dispensing of the bleach which could result in damaged clothes. Do not pour undiluted liquid chlorine bleach directly onto the load or into the drum. Fabric damage can occur.

Fabric softener

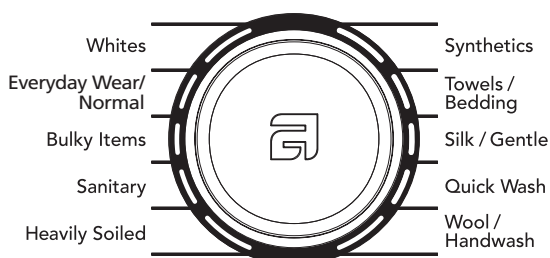
Pour the fabric softener into the fabric softener compartment. Follow the recommendations on the fabric softener packaging.

Note!

Do not fill above the compartment's maximum fill level. Otherwise fabric softener will be dispensed too early, which impairs the washing effect.

5 Select the program

You can select a program by turning the program selector. A red field lights up beside the selected program. Next, choose any options or selections and then press the Start/Stop button to start the program.



White

This selection is used for washing white cotton, linen, towel and sheets

Everyday Wear / Normal

Use this program for normally soiled work clothes, jeans, shirts.

Bulky Items

This program is used for washing blankets, curtains, etc.

Sanitary

This program is used for heavily soiled laundry, underwear, work clothes, diapers, etc.

Heavily Soiled

Use this program for heavily soiled laundry (white cotton, linen, towel and sheets...)

Synthetics

This program is used for dress shirts/pants, wrinkle free clothing, poly/cotton blend clothing, tablecloths.

Towels/Bedding

This program is used for washing cotton, linen, towels, shirts, sheets

Silk/Gentle

Use this program for the delicate laundry, silk, Curtains, etc.

Quick Wash

Lightly soiled laundry that only needs to be freshened up can be washed for a short time.

Wool/Hand wash

This program is used for clothes labeled Wool/Hand wash. The program has a short spin.

Operating Instructions

Program chart

Program Sequence		Wash	Temperature	Rinse	Spin	Soil	Delay Start	Pre Wash	Extra Wash	Extra Rinse	Rinse +Spin	Night Time	Duration Time (Min.)
HEAVILY SOILED	Default	Main Wash	Warm	2	Medium	Heavy							72
	Selectable		Cold ~ Hot	-	No Spin ~ Ex. High	Extra. Light ~ Extra Heavy	●	●	●	●	●	●	
SANITARY	Default	Main Wash	Ex. Hot	2	Medium	Normal							135 - 139
	Selectable		Warm*	-	No Spin ~ Ex. High	Extra. Light ~ Extra Heavy	●	●	●	●	●	●	
BULKY ITEMS	Default	Main Wash	Warm	2	Medium	Normal							64
	Selectable	X	Cold ~ Warm*	-	No Spin ~ Ex. High	Extra. Light ~ Extra Heavy	●	●	●	●	●	●	
EVERYDAY WEAR/ NORMAL	Default	Main Wash	Warm	2	Medium	Normal							55 - 59
	Selectable		Cold ~ Hot	-	No Spin ~ Ex. High	Extra. Light ~ Extra Heavy	●	●	●	●	●	●	
WHITE	Default	Main Wash	Warm	2	Medium	Normal							59
	Selectable		Cold ~ Hot	-	No Spin ~ Ex. High	Extra. Light ~ Extra Heavy	●	●	●	●	●	●	
SYNTHETIC	Default	Main Wash	Warm	2	Low	Normal							56
	Selectable		Cold ~ Hot	-	No Spin ~ Ex. High	Extra. Light ~ Extra Heavy	●	●	●	●	●	●	
TOWEL/ BEDDING	Default	Main Wash	Warm	2	Ex. High	Normal							53 - 54
	Selectable		Cold ~ Hot	-	No Spin ~ Ex. High	Extra. Light ~ Extra Heavy	●	●	●	●	●	●	
SILK/ GENTLE	Default	Main Wash	Cold	1	Low	Normal							32
	Selectable	X	X	-	No Spin ~ Medium	Extra. Light ~ Extra Heavy	●	●		●	●	●	
QUICK WASH	Default	Main Wash	Cold	1	Low	Light							33
	Selectable		Cold ~ Warm	-	No Spin ~ Medium	X	●				●	●	
WOOL/ HAND WASH	Default	Main Wash	Cold	1	Low	Light							30
	Selectable	X	X	-	No Spin ~ Low	X	●			●	●	●	

Selecting Settings

6 Select settings and options
By changing options and settings you can adjust the washing program to suit your own specific requirements. You can of course change the options at any time until you start a wash program.

extra hot	extra heavy	extra high	■■■■■
hot	heavy	high	■■■■
warm*	normal	medium	■■■
warm	light	low	■■
cold	extra light	no spin	-
Wash	Soil Level	Spin Speed	Signal
<input type="text"/>	<input type="text"/>	<input type="text"/>	<input type="text"/>

*warm rinse selection

Spin Speed

Select the spin speed by pressing the SPIN SPEED button until the red field next to the spin speed you want lights up.

For certain programs, it is not possible to change the spin speed. See the program chart.

No spin means the program does not include a spin cycle and ends by draining.

Signal

You can select the volume of the end of cycle signal. As you change your selection, the corresponding selection will be lit up.

Wash

Select temperature by pressing the Wash button until the red field lights up beside the desired temperature.

To safeguard your clothing, temperature selections will be restricted by the program selected. See the program chart above to see what temperature combinations may be selected with each program.

If you select Cold, the washing temperature will be the same as that of the machine's water supply.

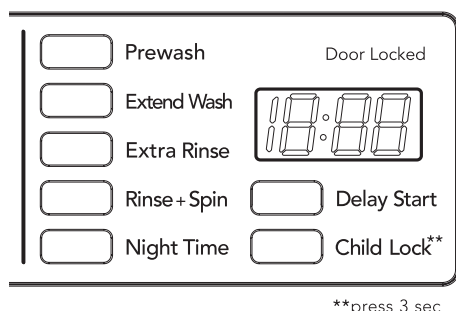
Wash	Temperature	Wash / Rinse
Extra Hot	67°C /153°F	Extra. Hot / Cold
Hot	35°C /106°F	Hot / Cold
Warm*	30°C /88°F	Warm / Warm
Warm	30°C /88°F	Warm / Cold
Cold	-	No Heating

Soil Level

Select desired soil level by pressing SOIL LEVEL button.

The wash time will change according to the selected soil level.

Selecting Options



Pre-wash

Use this option for loads that need pre-treatment. Adds 18 minutes pre-wash and drain.

Extend Wash

Adds time to the wash for better stain removal.

Extra Rinse

Provides an additional rinse. Use this option to ensure the removal of detergent or bleach residue from garments.

Rinse + Spin

Use this option to rinse and then spin.

Night Time

The NIGHTTIME cycle reduce the noise. This option has lower spin speeds possibly making dry times in the dryer longer

Delay Start

Can be used to delay the wash cycle from 1 to 12 hours.

Child Lock**

The child lock option can be used to prevent a child from pausing or cancelling a wash program.

To set this option, you must first select a wash program and any desired options. Press the Start/Stop button to start the cycle. Next, press the Child lock button for 3 seconds to engage the Child lock option. Child lock will be lit up as long as the option

is active. To cancel this mode, hold the Child lock button again for 3 seconds.

Note!

The Child lock option will be cancelled when the Child lock button is held for 3 seconds, the power is turned off, or when the wash program is complete.

7 Close the door and press the Start/Stop button

Time remaining

The time remaining is shown in hours and minutes. Once a program has been selected, an estimated running time for the complete program is displayed. The remaining time for Sanitary, Everyday Wear/Normal, and Towels/Bedding won't be displayed until after the program has been started. This may differ from time to time depending on the temperature of the water entering the machine and the size of the load. During the actual program the time counts down in minutes.

Stopping or changing a program

You can also stop a program by pressing the Start/Stop button.

To restart the machine, select a new program, add any extra detergent needed, and press the Start/Stop button.

Note!

If you select a wash program and options but do not start that program within 10 minutes, the washer will shut off automatically.

8 Once the program has finished

Once a wash program has finished, the washer will automatically turn itself off. If you have small children or pets at home, close the washer door once you have removed the laundry.

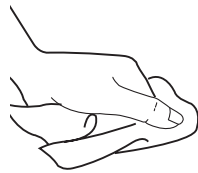
Care And Maintenance Instructions

Proper care of your washer can extend its life. This section explains how to care for your washer properly and safely.

Cleaning your washer

Exterior - Wipe up detergent, bleach, and other spills with a soft, damp cloth or sponge as they occur. Do not use any solvents, as these can damage the machine.

Interior - Clean the interior with 250 ml (1 cup) of chlorine bleach mixed with 500 ml (2 cups) of detergent. Run the washer through a complete cycle. Repeat this process if necessary.



Winter storage or moving care

Install and store your washer where it will not freeze. Because some water may stay in the hoses, freezing can damage your washer. If you store or move your washer during freezing weather, winterize it.

To winterize washer

1. Turn off water faucet.
2. Disconnect and drain water inlet hoses.
3. Run washer on a drain and spin setting for 1 minute.
4. Unplug the power supply cord.
5. Open the drain pump cover and remove the coin trap insert. Use a shallow bowl or old towels to catch the water that drains from the unit. Replace the coin trap and close the drain pump cover.

Non-use or vacation care

Operate your washer only when you are at home.

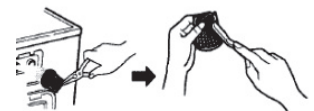
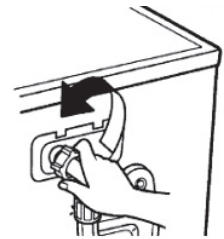
If you are on vacation or don't use your washer for an extended period of time, you should:

- Unplug the power supply cord or turn off power to the washer.
- Turn off the water supply to the washer. This helps avoid accidental flooding (due to a water pressure surge) while you are away.

Cleaning the water inlet filter

If your water is very hard or contains traces of lime deposit, the water inlet filter may become clogged.

1. Pull the power cord out of the receptacle first.
2. Turn off the water supply to the washer and separate the inlet hose.
3. Pull the inlet filter out. Remove the dirt from the inlet sediment filter with a brush.
4. Put the inlet filter back. Tighten the inlet hose.



Care And Maintenance Instructions

Cleaning the drain filter

The drain filter is used to catch items such as threads, coins, pins, buttons, and items left in pants pockets.

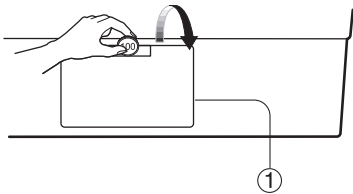
The drain filter needs to be cleaned regularly otherwise drain problems could occur.

Caution!

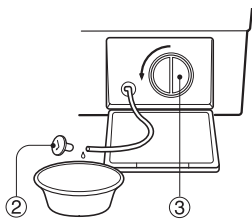


Be careful when draining if the water is hot.

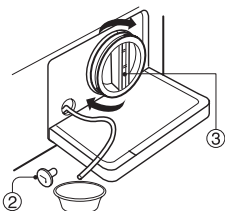
1. Open the drain pump cover (1) by using a coin. Pull out the hose.



2. Unplug the hose cap (2) and drain the water into a shallow bowl or some old towels. When the water flow stops, turn the pump filter (3) counterclockwise to remove it.



3. Remove any debris that is in the pump filter. (3). Once clean, replace the pump filter by turning it clockwise. Plug the drain hose with the hose cap and snap the hose into its holder. Close the drain pump cover.

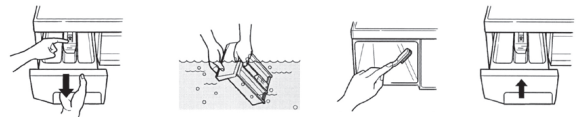


Cleaning the detergent compartment

After a while detergent and fabric softeners leave a deposit in the detergent drawer.

If you need to clean the detergent compartment:

- Press down on the catch on the detergent compartment and remove the drawer.
- Wash the drawer in a sink of warm water. The lid of the fabric softener compartment may be removed for easier cleaning.
- Detergent can also accumulate inside the detergent drawer housing and should be cleaned periodically with a brush.
- Once clean, replace the detergent drawer and run a rinse cycle without laundry in the machine.



Removing Stains

Stained, heavily-soiled, or greasy items may need to be pre washed or soaked for best results.

Soaking helps remove protein-type stains like blood, milk or grass.

Pre washing helps loosen soil before washing.

Stain removal rules

Use warm water for soaking or pre-washing stained laundry. Hot water can set stains.

Most stains are easier to remove when they are fresh.

Before treating any stain, find out what kind of stain it is, how old the stain is, what kind of fabric it is, and whether the fabric is colorfast. (Check the care label)

Washing and drying can set some stains.

Start with cold or warm water. Hot water can set some stains.

When bleach is recommended, use a bleach that is safe for the fabric.

Put the stained area face down on a paper towel or white cloth. Apply the stain remover to the back of the stain. This forces the stain off of the fabric instead of through it.

Stain removal guide

Blood - Rinse immediately in COLD water. If stain remains, soak in cold water with an enzyme prewash.

Chewing gum - Use ice in plastic bag to harden the gum. Scrape off what you can and then sponge with commercially available stain remover.

Cocoa, Chocolate - Sponge with COLD water and soak in an enzyme prewash. If stains persist, rub in a little detergent and rinse in cold water.

Coffee - Blot up quickly and rinse out in COLD water. Rub in a little detergent and wash in the maximum temperature allowed for the fabric type.

Cream/Milk/Ice cream - Rinse in COLD water and wash normally. If the stain is still apparent, sponge with commercially available stain remover.

Deodorant - Rub the affected area with white vinegar and then rinse out in COLD water. Sponge with commercially available stain remover. Treat the stiffened areas with enzyme pre-wash.

Egg - Soak in a COLD enzyme pre-wash, rinse and wash normally.

Fabric/Softener - Rub the affected area with bar soap and wash normally.

Fruit stains - Treat as soon as possible by sponging with COLD water. Rub a little detergent on the stain and wash normally.

Grass - Sponge with white spirits. Rub in an enzyme prewash and wash as normally.

Grease and oil - Lay the affected area face down on an absorbent cloth and work from the back. Sponge with commercially available stain remover. Wash normally.

Iron or rust - Apply lemon juice and salt and place in the sun. Wash normally.

Lipstick - Sponge with commercially available stain remover and wash normally.

Mildew - Wash in WARM water and detergent. Moisten area with lemon juice, dry in the sun and wash normally. If stain persists and the fabric allows, use a bleach.

Mud - Brush off any dry mud. Rinse in cold water. If stain persists rub in a little detergent and wash normally.

Paint-oil based - Scrape off any fresh paint and sponge with a non flammable dry cleaning fluid and wash normally.

Paint-water based - Treat while still wet, rinse in WARM water and wash normally.

Scorch marks - Dampen a cloth with hydrogen peroxide, lay it over the affected area and press with a fairly hot iron.

Troubleshooting

Most problems are easily solved if you understand the cause. If the machine shows an error code in the display, consult the fault code descriptions below for a possible cure. Once you've tried the following suggestions, turn the power to the washer off. Next, turn the machine back on and restart the wash cycle. If you are unable to resolve the issue, call our Customer Care Center at the number on the bottom of the page.

The washer will not operate at all.

- Is there a power failure?
- Is the power cord correctly connected to an electric outlet?
- Did you turn on the power?
- Did you press Start/Stop button?
- Is the correct amount of laundry in the washer?
- Is the door open? (The lamp "EE" will light up in this case.)

Water is not supplied

Error display

- Did you connect the inlet hoses and open water valves?
- Are the inlet hoses or water valves frozen?
- Is the water supply shut off?
- Is there debris blocking the inlet hose filters?

The washer will not drain

Error display

- Is the drain hose frozen or blocked by debris?
- Is the drain hose kinked or deformed?
- Is the end of the drain hose pushed more than 3 or 4 inches into the drain pipe?
- Check to make sure the drain filter is clean.

The washer will not spin

Error display

- Are the clothes in the drum collected on one side?
- Is the washer installed on an uneven floor or is the vibration serious?

Spinning is insufficient



Error display

- Is the filter of the drain pump clogged?
- Does there appear to be water left in the wash drum?
- Did you use the proper amount of detergent?
- Is the drain hose placed higher than 39" above floor?

Vibrating and too noisy

- Is the washer installed on an uneven floor?
- Have all the shipping bolts removed?

Note!

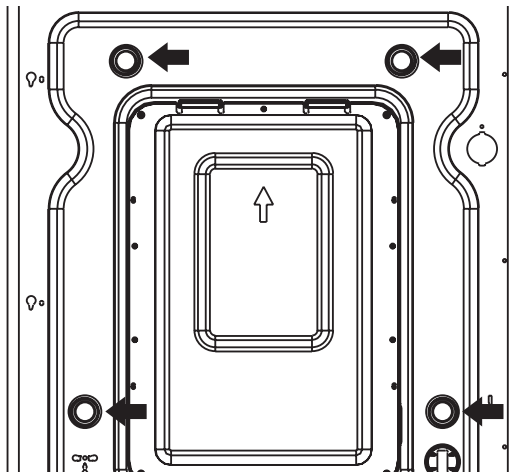
- If  and  error mode are showed on LED panel, please contact our Customer Care Center at the number listed on the bottom of the page.

Installation Instructions

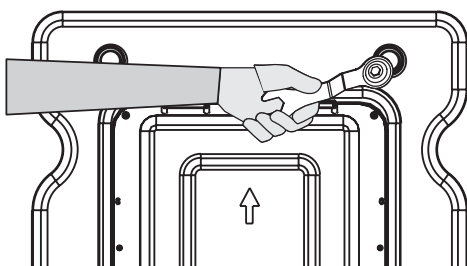
Read these instructions carefully and completely before you install the machine. The installation should be carried out by a qualified person who is familiar with all local codes and ordinances for electrical and plumbing connections. Cosmetic damage must be reported to your dealer within five days from the date of purchase. After unpacking the washer, thoroughly check the unit for cosmetic damage.

Removing shipping bolts

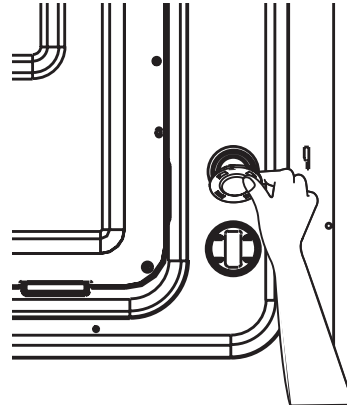
1. Before operating the washer, remove the shipping bolts(4 ea.) along with the rubber grommets.
 - If the bolts are not removed, it may cause heavy vibration, noise and malfunction.



2. Unscrew the 4 bolts with the wrench supplied. Keep the 4 bolts, grommets, and wrench for future use.
 - Whenever the appliance is transported, the transit bolts must be reused.

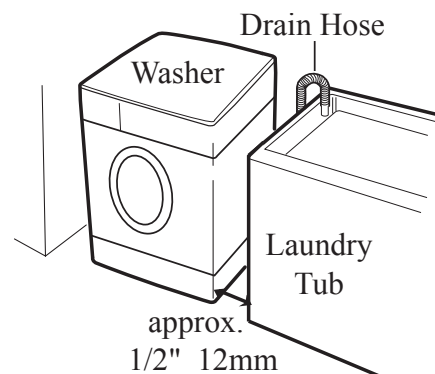


3. Close holes with supplied cap holders.



Location of your washer

- Check location where the washer will be installed. Make sure you have everything necessary for correct installation.
- Do not place or store your washer below 32 °F (0 °C) to avoid any damage from freezing.
- Do not place or store laundry products on top of washer at any time.
- Install the washer on a horizontal solid floor. If the washer is installed on an unsuitable floor, it could make considerable noise, vibrate severely and cause a malfunction. If the washer is not level, adjust the leveling legs up or down to make the unit level.
- Ventilation openings must not be obstructed by carpeting when the washer is installed on a carpeted floor.
- Leave some space. There should be at least 1/2" clearance on all sides of the unit.



Installation Instructions

Level adjustment

1. The washer must be installed on a sturdy and solid floor or the unit may make considerable noise, vibrate and cause a malfunction.
2. Adjust the level of the washer using adjustable legs.
 - Please check if there is any gap between the four adjustable legs and the floor.
 - Turn the adjustable legs with the enclosed wrench to adjust the level of washer and make sure that the machine does not move when you push on it.
 - After the adjustments are finished, turn the locking nuts up tightly so that the washer maintains the adjustment.
3. Make sure that the washer does not move when you press down on the four corners of the machine.

Note!

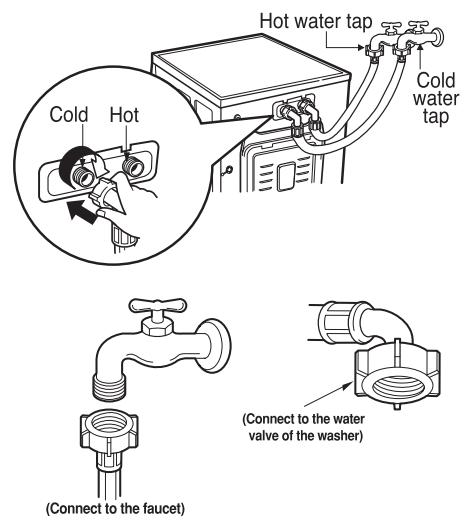


There should be no rocking of the washer and all of the adjustable legs should be sitting firmly on the floor.

Connecting water supply hoses

- Water supply pressure must be between 4.5 and 145 PSI (30~1000 kPa).
- Do not cross-thread when connecting inlet hoses to the inlet valves. If the water supply pressure is more than 145 PSI, a pressure reducing device should be installed.
- Two Sealing washers are supplied with the water inlet hoses to prevent water leaks.
- Check for leakage of washing machine connections by turning the tap completely on.

- Periodically check the condition of the hose and replace the hose if necessary.
- Make sure that there is no kink in the hose and that it is not crushed.
- Make sure to connect the hot water valve on the machine to the hot water valve on the wall and that cold is connected to cold. The hot water hose has a red stripe, the cold has a blue stripe.



Repairs to the washing machine must only be carried out by qualified personnel. Repairs carried out by inexperienced persons may cause injury or serious malfunctioning. Contact our Customer Care Center.

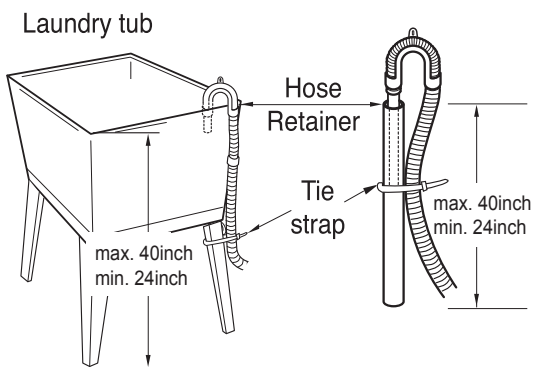
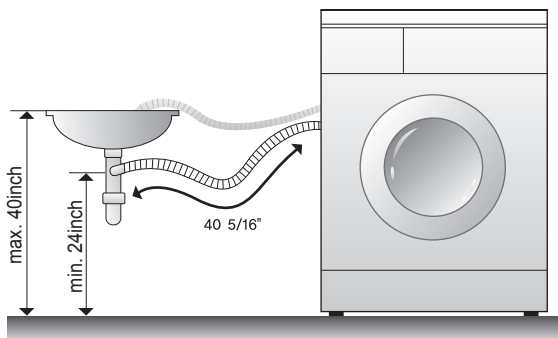
Do not install your washing machine in a room where temperatures below freezing may occur.

Frozen hoses may burst under pressure. The reliability of the electronic control unit may be impaired at temperatures below the freezing point. If the appliance is delivered in the winter months and temperatures are below freezing, store the washing machine at room temperature for a few hours before putting it into operation.

Installation Instructions

Drain system

- Never forget to install the drain hose before operating your washer.
- The drain hose is shipped inside the wash drum..
- Connect the drain hose to the drain outlet at the back side of the washer.
- The top of laundry tub must be at least 24 inches high and no higher than 40 inches from bottom of washer.
- When installing the drain hose to a tub (sink), secure it tightly with a string or nylon tie.
- Properly securing the drain hose will protect the floor from damage due to water leakage.



Electrical connection

- Do not use an extension cord or double adapter.
- If the supply cord is damaged, it must be replaced by a qualified person in order to avoid a hazard.
- If the machine will not be used for an extended time, unplug it and shut off the water supply.
- Connect the machine to a grounded outlet in accordance with current wiring regulations.
- The appliance must be positioned so that the plug is easily accessible.

Grounding instructions

This appliance must be grounded. In the event of malfunction or breakdown, grounding will reduce the risk of electric shock by providing a path of least resistance for electric-current. This appliance is equipped with a cord having an equipment-grounding conductor and a grounding plug. The plug must be plugged into an appropriate outlet that is properly installed and grounded in accordance with all local codes and ordinances.

Caution!



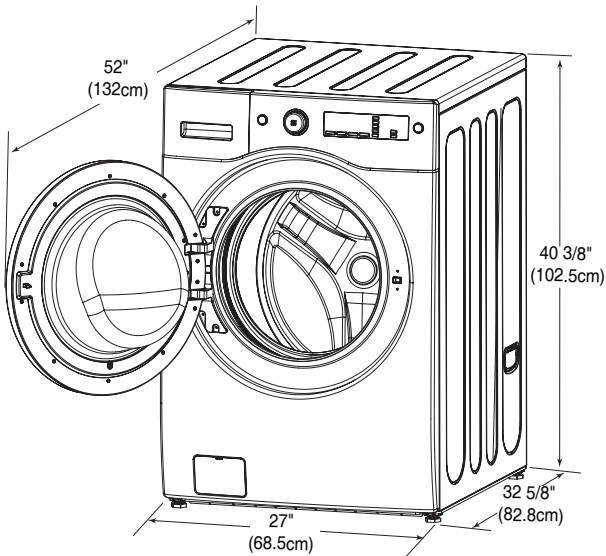
Improper connection of the equipment grounding conductor can result in a risk of electric shock. Check with a qualified electrician or serviceman if you are in doubt as to whether the appliance is properly grounded. Do not modify the plug provided with the appliance. If it will not fit the outlet, have a proper outlet installed by a qualified electrician.

Installation Instructions

Positioning the washer

The location must be large enough to fully open the washer door.

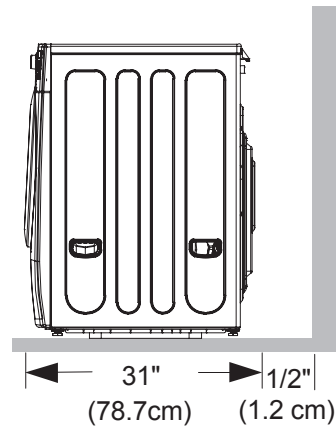
Washer dimensions



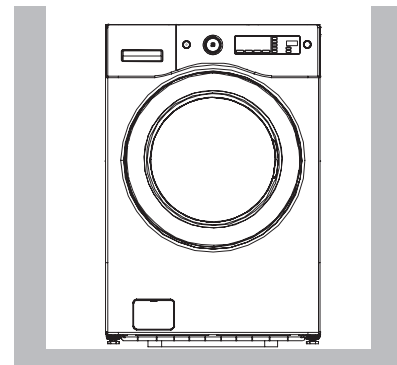
Minimum installation spacing for recessed area installation.

The following dimensions shown are for the minimum spacing allowed. Additional spacing should be considered for installation and servicing.

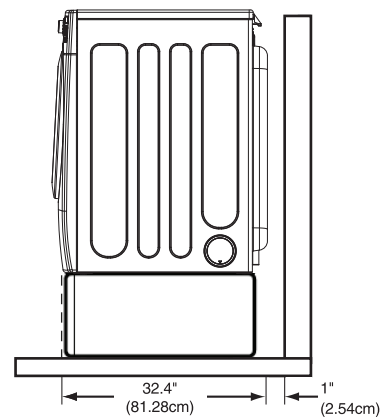
- Additional clearances might be required for wall, door and floor moldings.
- Additional spacing of 1/2" (1.2 cm) on all sides of the washer is recommended to reduce noise transfer.
- Most installations require a minimum 1/2" (1.2 cm) clearance behind the



[Side view]

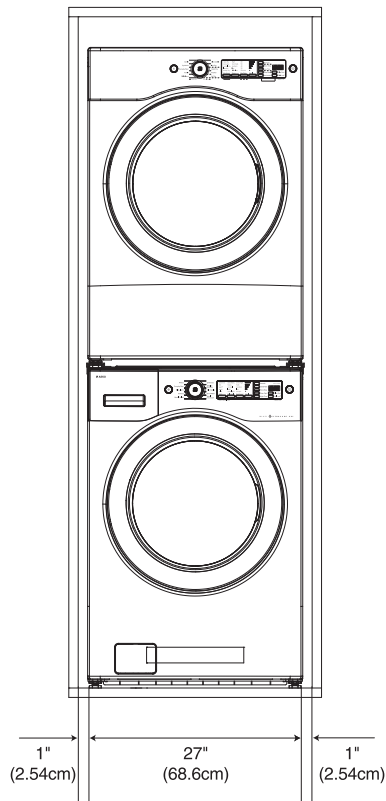


[Front view]

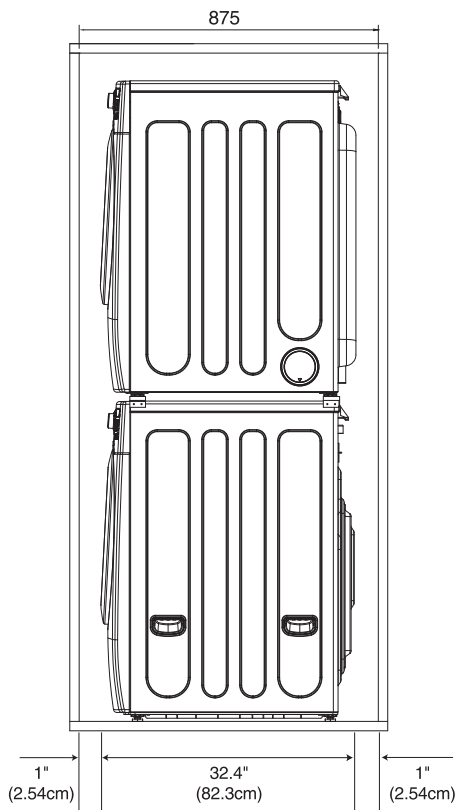


[Close, Pedestal - Side View]

Installation Instructions



[Closet, Stacking - Front View]



[Closet, Stacking - Side View]

Level floor

- Allowable slope under entire washer is 1°.
- To minimize noise and vibration, the washer **MUST** be installed on a solidly constructed floor.
- Carpeting and soft tile surfaces are not recommended.
- Never install the washer on a platform or surface with poor support.

Note!

A firm, solid floor is even more critical to a front-loading washer than to a top-loader. If your floor is wood and/or frame construction, you may need to reinforce it. Front-loaders use substantially faster spin speeds than top-loaders, causing greater vibration. If the floor is not solid, your washer will vibrate. You will hear and feel the vibration throughout your house.

Power outlet

- Must be within 60 in. (1.5 m) of either side of the washer. Do not overload the outlet with more than one appliance.
- Time-delay fuse or circuit breaker is recommended.

Note!

It is the personal responsibility and obligation of the customer to have a proper outlet installed by a qualified electrician.

Stacking Kit Installation Instructions

Caution!

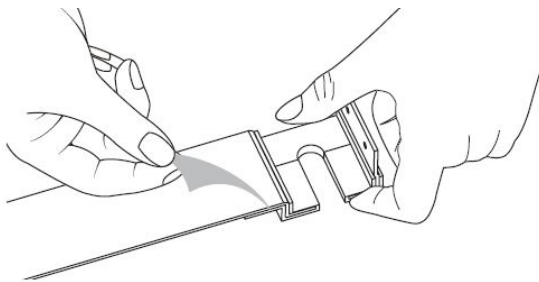


To ensure safe and secure installation, please follow the instructions below thoroughly.

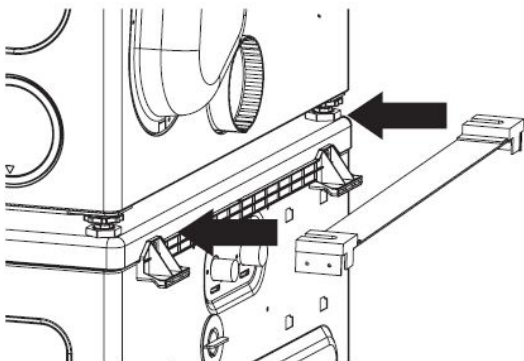
- Do not attempt installation with one person.
- This procedure should be performed by 2 or more experienced service personnel.
- Incorrect installation procedures can cause serious accidents and physical injuries.

Installation method

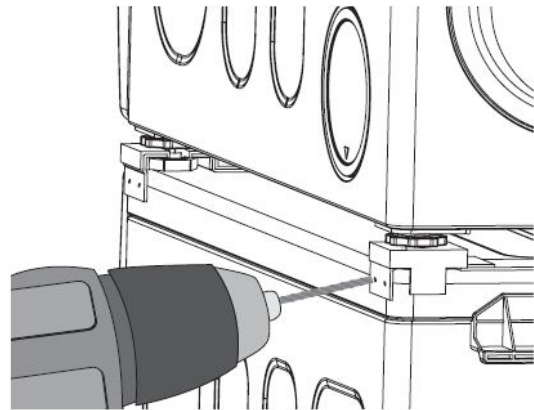
1. The washer should be placed on a level, sturdy, and solid floor as described in the Installation section of the Operating Instruction manual.
2. Lift the dryer and place it on top of the washer.
3. Peel the protective paper from the double sided tape on the stacking kit rear bracket.



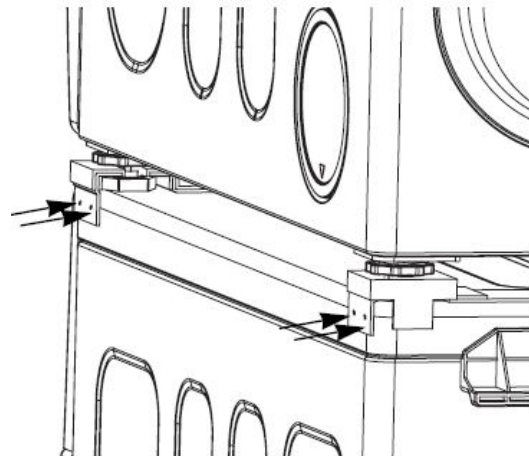
4. Attach the front and rear bracket of the stacking kit as shown in the picture.



5. Drill a hole in the both sides of stacking kit and the both sides of top plate. (Hole Dia. 3.5mm - 9/64")



6. Use the supplied screws to mount the stacking brackets to the washer.



Caution!



To avoid finger injuries - be careful not to pinch fingers between the washer and dryer.

Note!

Stacking kit can be used with following model of dryers

TL751 XXL*, TL752 XXL*
TL751CA XXL*, TL752CA XXL*
TL751G XXL*, TL752G XXL*

* represents color variation.

Technical Information

Technical data	
Dimension (inches)	27"(68.5cm) x 32 5/8"(82.8cm) x 40 3/8"(102.5cm) x 52"(132cm) W x D x H x Depth w/ door open
Unit Weight (lb.)	198.4(Net) / 227(Gross)
Wash capacity	3.92 cu.ft. DOE
Spin Speed (RPM)	1300 rpm max.
Operating Water Pressure	4.5~145 PSI (30~1000 kPa)
Electrical Spec.	120V / 60Hz, 10 A

Service And Guarantee

Asko Appliances Inc. Will not pay for:

Service calls to:

1. Correct the installation of the appliance.
2. Repair damage due to shipment, delivery, installation, misuse or abuse.
3. Instruct how to use the appliance.
4. Replace house fuses or correct house wiring.
5. Correct house plumbing, including drainage problems related to improper installation.
6. Clean or service air device in drain line.
 - Repair and/or replacement parts for failure of product if appliance is used for other than home/residential use.
 - Damage resulting from accident, fire, floods, acts of God, alteration, misuse, abuse, improper installation, or installation not in accordance with local electrical or plumbing codes.
 - Any shipping costs for parts during the limited warranty period.
 - Replacement parts or repair labor costs for units operated outside the continental United States.
 - Pickup and delivery. ASKO washers are designed to be repaired in the home.

In no event shall Asko Appliances Inc. be responsible for any incidental or consequential damages.

Some states will not allow the exclusion or limitation of incidental or consequential damages, so this exclusion or limitation may not apply to you. This warranty gives you specific legal rights and you may also have other rights which vary from state to state

For warranty service, contact our Customer Care Center at the number listed below.

Before calling for service or contacting Asko Appliances Inc. regarding a warranty issue, make a note of the model, type name, and serial number.

Write to us at:

Asko Appliances Inc.
P.O. Box 940609
Plano, TX 75094-0609
www.askousa.com

Or contact our

Customer Care Center at
1-800-898-1879
www.askousa.com

Service And Guarantee

It is important to register your product warranty by logging onto www.askousa.com/customer-care/register-my-appliance/ and filling out all required fields within 90 days from the date of purchase. After doing so, you will be e-mailed a certificate that will extend the original warranty for one additional year.

If you do not have access to the internet, complete the warranty card included with the product and mail it to the address on the warranty card within 90 days of the date of purchase. Cosmetic damage must be reported to your dealer within five days from the date of purchase. After unpacking the washer, thoroughly check the unit for cosmetic damage.

For residential installations only	Asko Appliances Inc. will pay for:
Length of warranty: Two-Year full warranty from date of purchase.	ASKO replacement parts and/or repair labor to correct defect in materials or workmanship. Service must be provided by an authorized ASKO service agent.
Third year full Complete your product warranty registration online at www.askousa.com/customer-care/register-my-appliance/ within 90 days from the date of purchase to extend the original warranty one additional year. If you do not have access to the internet, complete the warranty card included with the product and mail it to the address on the warranty card within 90 days of the date of purchase.	ASKO replacement parts and/or repair labor to correct defect in materials or workmanship. Service must be performed by an authorized ASKO service agent.
Lifetime	ASKO replacement parts (labor cost not included) for the stainless steel tank if it exhibits a manufacturing defect such as cracking or rusting through. Service must be provided by an authorized ASKO service agent.
For non-residential installations	Asko Appliances Inc. will pay for:
Length of warranty: One-year full warranty from date of purchase	ASKO replacement parts and/or repair labor to correct defect in materials or workmanship. Service must be provided by an authorized ASKO service agent.

Quick Guide

1 Washing

- Empty pockets and close zippers.
- Read the item's laundry label.
- Sort the laundry.

Note!

Place underwire bras in a small, mesh, garment bag..

2 Load the laundry

- Turn the unit on by pressing the main power switch.
- Load the laundry and close the door.

3 Detergent compartment

- Add detergent, fabric softener and bleach as needed into the appropriate compartments on the detergent drawer.
- If you use liquid detergent, follow the recommended dosing suggested on page 13 of this manual.
- Remember to insert the liquid detergent cup into the main wash compartment of the detergent drawer when using liquid detergent. The cup must be in place before you add liquid detergent.

4 Select the program

- Select a program by turning the program selector.
- Select options and settings.
- Press the Start/Stop button.

5 Program finished

- The washing machine will sound the end of wash cycle signal and automatically turn the power off. Remove the laundry. If you have small children or pets at home, close the washer door once you have removed the laundry.